

## 2000 SERIES MAGNETIC DRIVE LEVEL INDICATORS

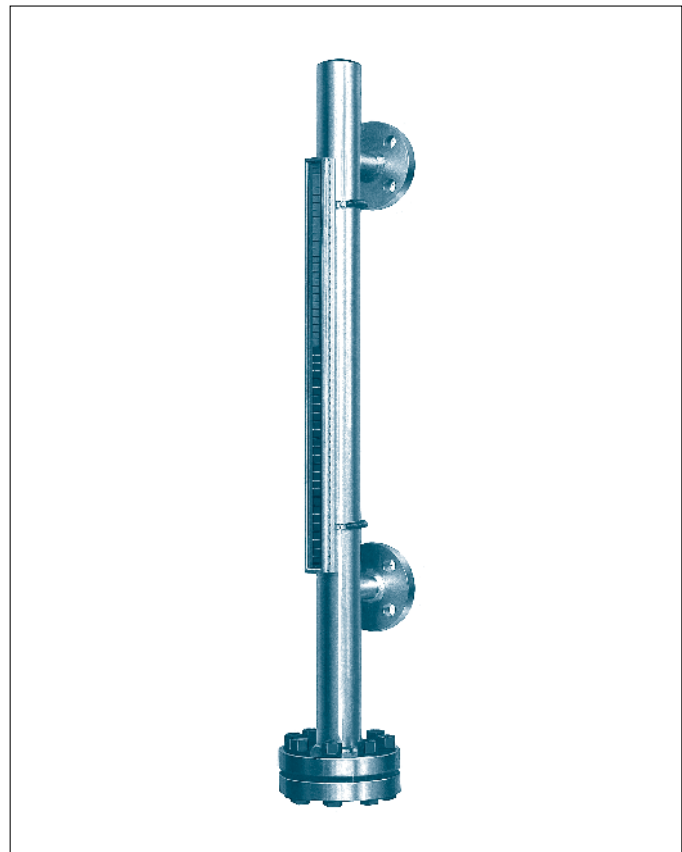
### APPLICATIONS AND TECHNICAL DATA

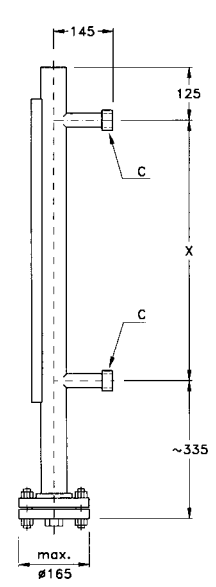
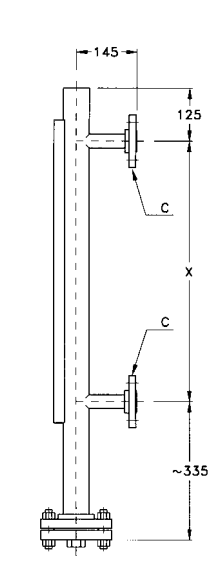
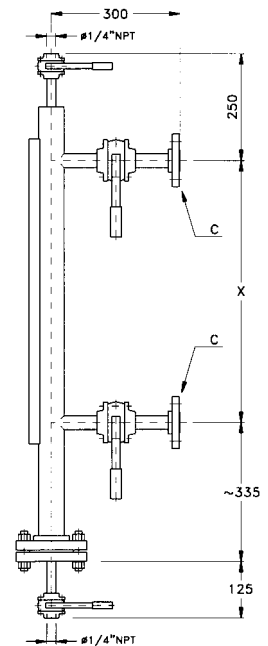
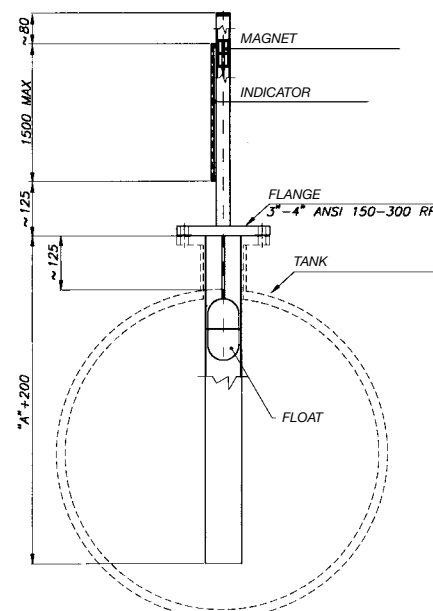
- visual level indicators for any type of liquids (s. g. 0,55 kg/dm<sup>3</sup> min. for the metallic type and 0,88 Kg/dm<sup>3</sup> for the plastic type).
- interface measurement of liquids
- level measurement of particularly aggressive liquids or with pressure and temperature not suitable for standard glass tube or reflection indicators
- accuracy ± 5 mm.
- Max. pressure 50 Bar for standard versions and up to 150 bar for on request versions.
- ambient temperatures from -60 °C to +40 °C
- special version for media temperature up to -196 °C with antifrost device and for high temperature up to +550 °C.
- Max. length 5,5 meters for metallic type and 3 meters for plastic type
- Version for s.g. <0,65 Kg/dm<sup>3</sup>, on request

### WORKING PRINCIPLE

A permanent magnet incorporated in the float actuates the sensing elements mounted in the special waterproof case, causing them to rotate 180°.

These elements, which are treated with special paints of contrasting colour on the two faces, show the red colour faces when the level increases (float going up) and the white faces when the level decreases (float going down), thus showing very clearly the position of the float and hence the liquids's level.



Standard systems for connection to the process			Top mounting version
 <p><b>Socket welding</b></p>	 <p><b>flanged</b></p>	 <p><b>with shut-off valves</b></p>	 <p><b>mod. 2016 T</b></p> <p>S.G. = 0.8-1.2 Kg/dm<sup>3</sup>  PRESSURE MAX = 10 Kg/cm<sup>2</sup>  TEMPERATURE MAX = 200°C</p>
Approximate dimensions for metal versions (in mm)			
Standard "C" connections: threaded 1" NPT-F; Flange UNI PN ... DN 25/1" ANSI ...RF; 1" S.W.			

**N.B. Drain and vent valves are applicable to all models.**

MODEL		2006 (1)			2016	2025	2040	2064	
STD "C" Flange connection		1" ANSI 150 FF UNI DN 25 PN 6			1" ANSI 150 RF UNI DN 25 PN 16	1" ANSI 300 RF UNI DN 25 PN 25	1" ANSI 300 RF UNI DN 25 PN 40	1" ANSI 600 RF UNI DN 25 PN 64	
VERSION		P	M	PF	J	J	J	J	
Temperatures	38°C	SEE TABLE FOR TOLERANCE LIMITS OF PLASTIC TYPE INDICATORS			19	25	40	50	Max pressure in bar
	100°C				16	21	35	43	
	150°C				15	19	31	39	
	200°C				13	17	28	36	
	BODY RATING				-			ANSI 150	

(1) Plastic type  
On request versions with body rating higher than ANSI 300 can be supplied (models 2100 - 2150 - 2250).

## MATERIALS

CODE FOR:	Materials	AISI 316	PVC	Moplen	PVDF
Body		J	P	M	PF
Float		2	5	6	PF
Internal gaskets: Graphoil (G) Spirometallic (S) Teflon (T) Viton (V) only for plastic type					

## TOLERANCE LIMITS OF PLASTIC VERSION SWITCHES

MATERIALS	PVC	from 0°C to + 60°C pressure 6 bar at 25°C; 4 bar at 35°C; 1 bar at 60°C
MOPLEN	from 0°C to + 80°C pressure 6 bar at 25°C; 4 bar at 45°C; 1 bar at 80°C	
PVDF	from -10°C to + 135°C pressure 6 bar at 20°C; 4 bar at 65°C; 1 bar at 135° C	

## ACCESSORIES TO ORDER

- ball-type shut-off valve DN 25 (1") up to mod. 2040; globe for the model 2064.
- ball-type drain and/or vent valves DN 6 (1/4") up to mod. 2040; globe for the model 2064.
- graduated scale.
- high and/or low level alarms, REED type
- 4÷20 mA transmitter.
- inox case.
- heating/cooling jacket or steam tracer.
- indication of float broken (yellow flags).
- protection window in polycarbonate.

## HOW TO ORDER

Example: 2016 - J - 2 - G

2016 model  
J body in S/steel AISI 316  
2 float in S/steel AISI 316  
G gasket in graphoil

The following data is also required: type of liquid, specific gravity, operating temperature and pressure, distance of "x" connections.